

CPA 50E Ring Type Joint (RTJ), Type D Flow Conditioner

In RTJ configurations, installation of the CPA 50E RTJ flow conditioner involves placing the plate between the two ANSI ring type joint flanges. Canada Pipeline Accessories does not provide the ring gaskets or bolts required for installation.

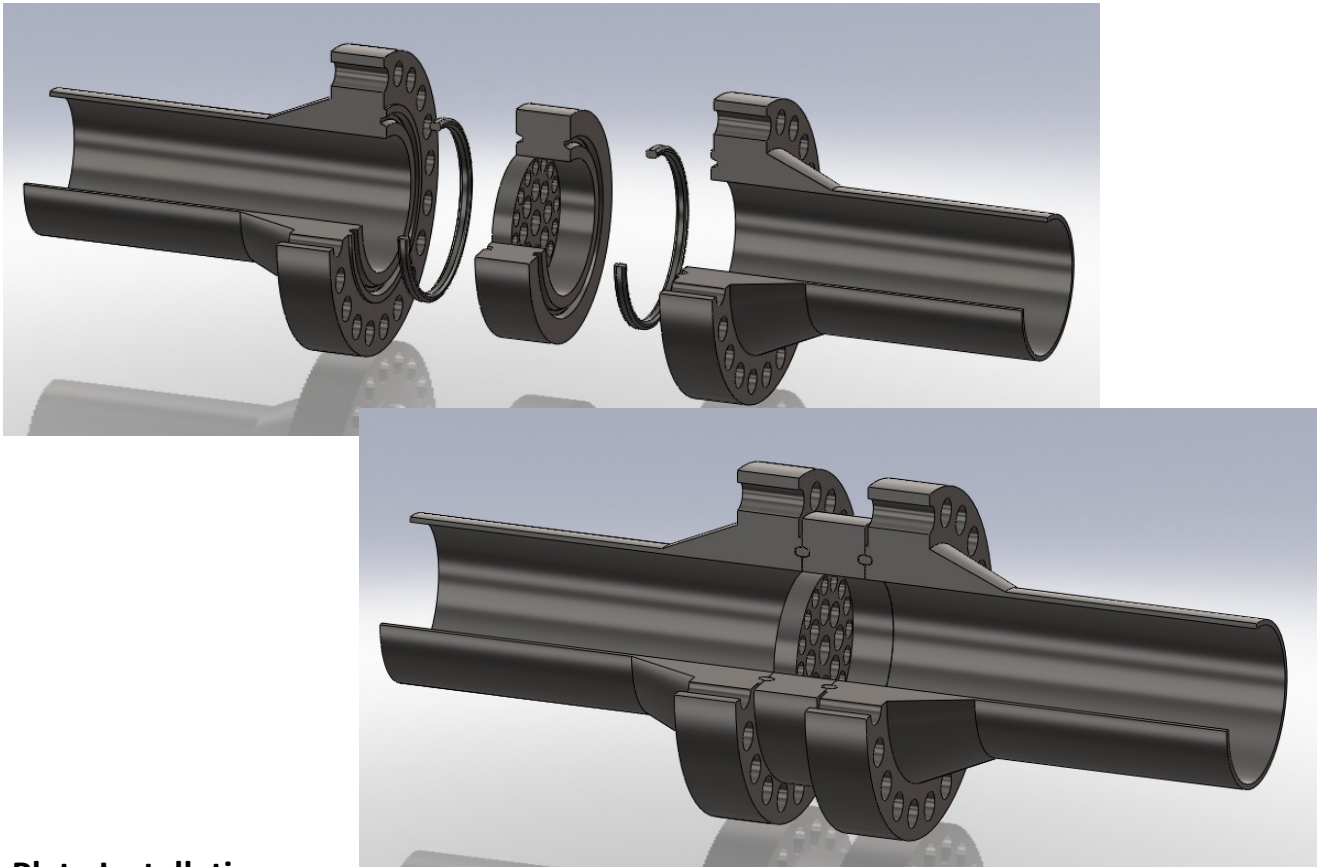


Plate Installation

The flush face of the CPA 50E RTJ should always be positioned against the downstream flange of the meter tube. This ensures that the flow conditioner is centered relative to the flow meter and properly isolates the upstream meter tube.

While there is a flow direction arrow on the CPA 50E RTJ flange that helps indicate this orientation, the flow conditioner geometry is bi-directional and can be installed 'backwards' without causing a change in meter performance.

CPA 50E Ring Type Joint (RTJ), Type D Flow Conditioner

Plate Orientation

For installation convenience, the CPA 50E RTJ has a top dead centre marker engraved on the outer circumference of the flange. This engraved arrow is aligned with the 90 degree axis of the flow conditioner and should always be positioned vertically when the CPA 50E RTJ is installed in the flange.

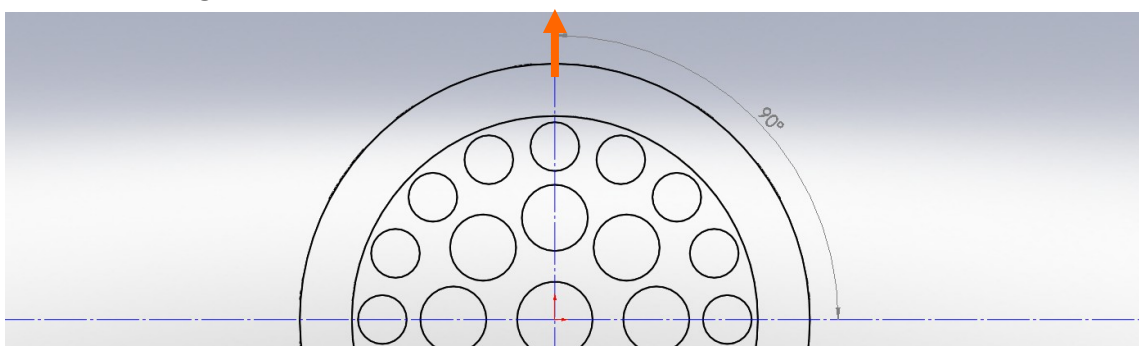


Plate Maintenance

The CPA 50E RTJ is a low maintenance device and does not require scheduled servicing. It should be inspected on a regular basis for debris collection and hole blockages. These obstructions can result in a severe reduction in flow conditioner performance that can increase flow meter error.

Over time, a build up of dirt and contamination will require cleaning of the CPA 50E RTJ. This can be done with a soft rag and any available solvent. **CLEANING MUST NOT BE PERFORMED WITH ANY TYPE OF ABRASIVE MATERIAL OR HONING DEVICE.** Abrasive cleaning can inadvertently change the dimensions of the plate and cause it to fall out of CPA's specifications. This will reduce the performance of the CPA 50E RTJ and result in undesired acoustic behavior.

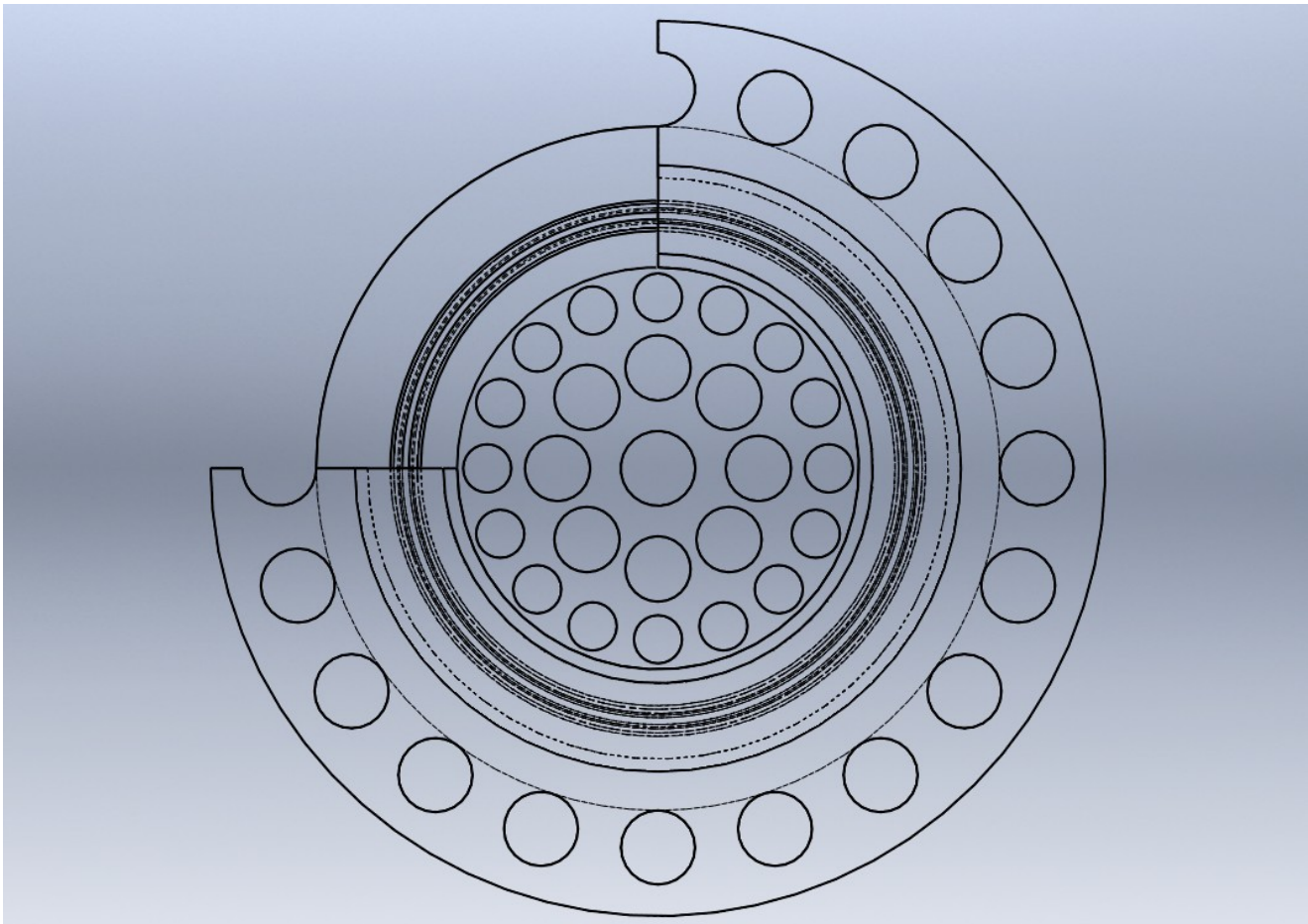
Physical damage to the CPA 50E RTJ due to debris impacts will require replacement of the flow conditioner to maintain the CPA specified performance.

Canada Pipeline Accessories does not carry spare parts such as ring gaskets or flange bolts for CPA 50E RTJ installations.

CPA 50E Ring Type Joint (RTJ), Type D Flow Conditioner

Sizes and Availability

- Available in a range of sizes, from NPS 1" to NPS 30".
- Wide range of material options: Carbon Steel, 304 Stainless Steel, 316 Stainless Steel, Inconel, Monel, Duplex, Hastalloy.
- Available for ANSI ratings 150# to 2500# and up to API 10000#



Please contact us to discuss sizing, material options,
availability and pricing.