

CPA 50E Raised Face (RF), Type A Flow Conditioner

In raised face configurations, installation of the CPA 50E flow conditioner involves placing the plate between the two ANSI raised face flanges. Gaskets are not provided by Canada Pipeline Accessories.

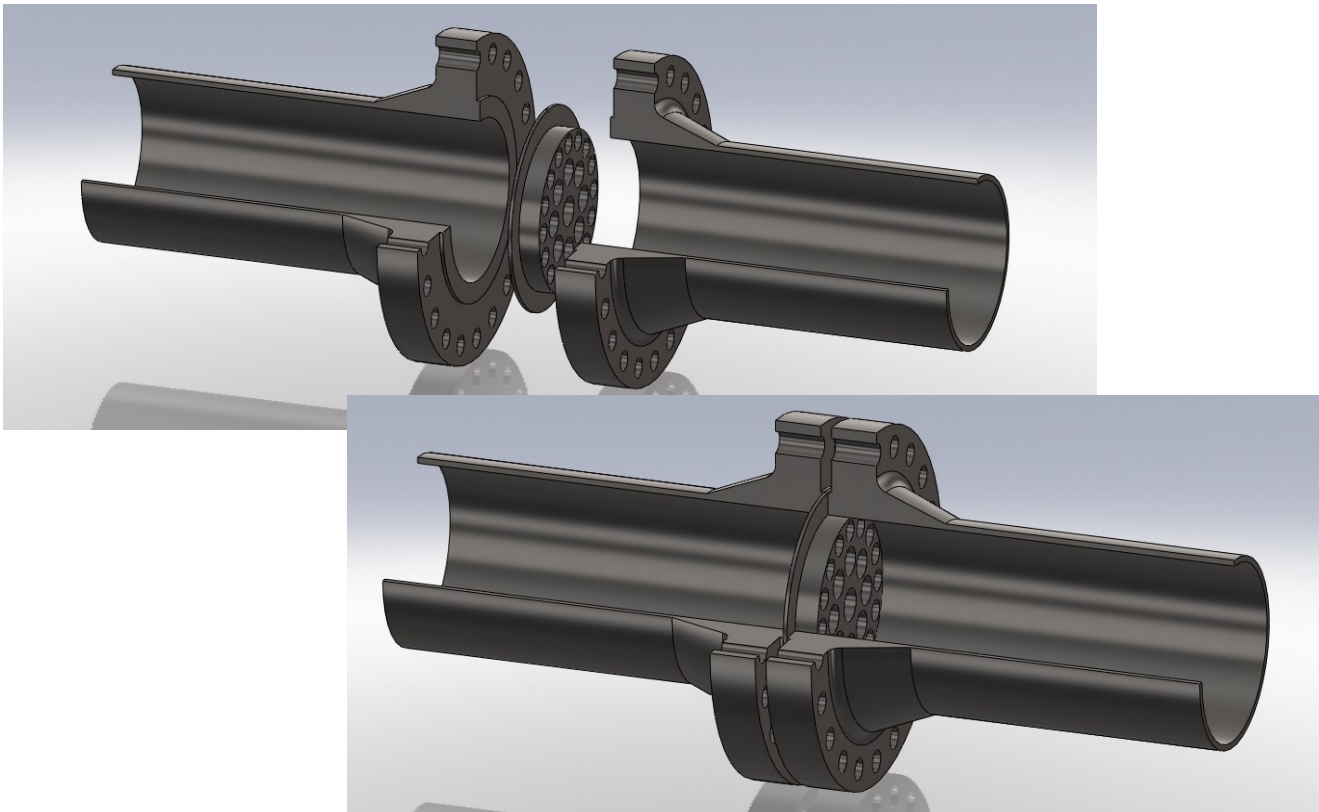


Plate Installation

The offset section of the CPA50E should always be inserted into the downstream section of the meter tube. This ensures that the flow conditioner is centered in reference to the flow meter if there are inconsistencies in the pipe ID and eccentricity.

While there is a flow direction arrow on the CPA50E flange that helps indicate this orientation, the flow conditioner geometry is bi-directional and can be installed 'backwards' without causing a change in meter performance.

CPA 50E Raised Face (RF), Type A Flow Conditioner

Plate Orientation

For installation convenience, the CPA 50E has a top dead centre marker. This 1/8" notch is aligned with the 90 degree axis of the flow conditioner and should always be positioned vertically when the CPA50E is installed in the flange.

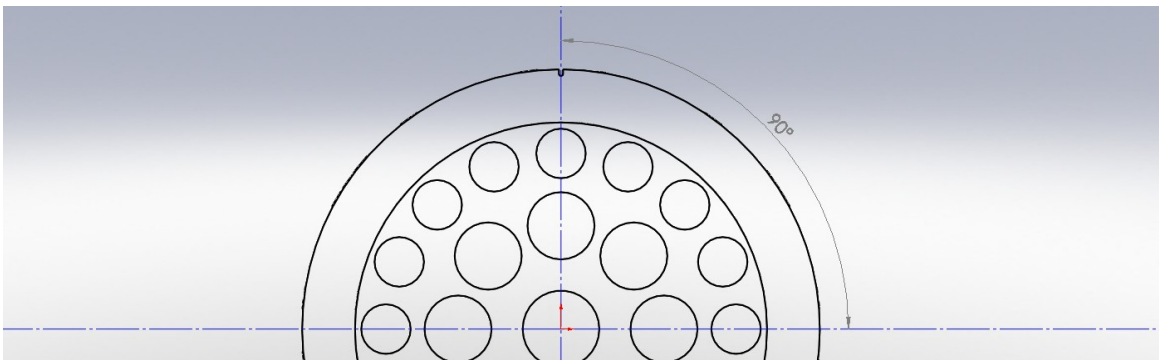


Plate Maintenance

The CPA50E is a low maintenance device and does not require scheduled servicing. It should be inspected on a regular basis for debris build up and hole blockages that can result in a reduction in flow conditioner performance and resultant flow meter accuracy.

Over time, dirt and contamination build up will require cleaning. This can be done with a soft rag and any available solvent. **CLEANING MUST NOT BE PERFORMED WITH ANY TYPE OF ABRASIVE MATERIAL OR HONING DEVICE.** Abrasive cleaning can inadvertently change the dimensions of the plate and cause it to fall out of CPA's specifications. This will result in a change in the CPA 50E performance and acoustic behavior.

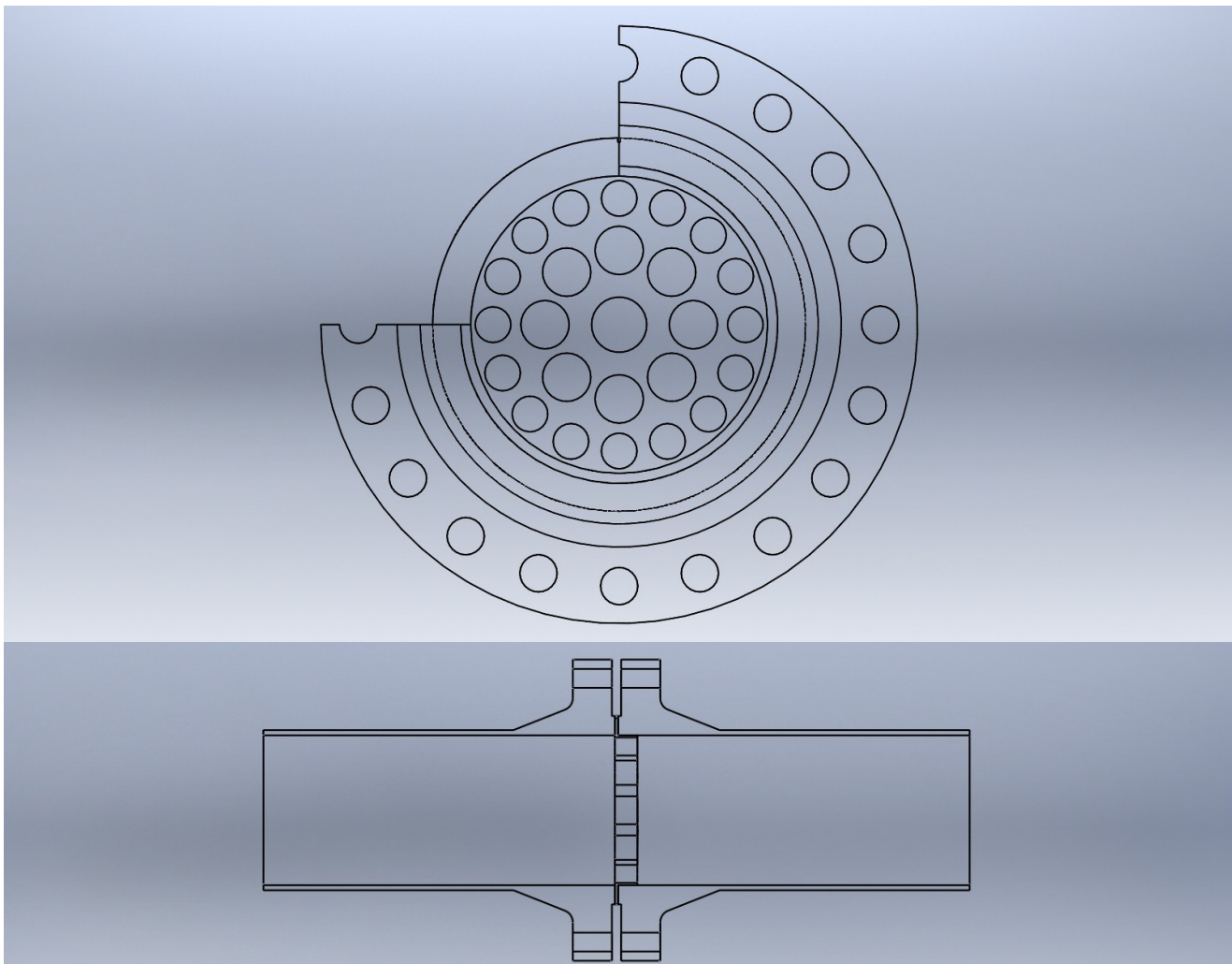
Physical damage to the CPA50E due to debris impacts will require replacement of the flow conditioner to maintain the CPA specified performance.

Canada Pipeline Accessories does not carry spare parts such as gaskets or flange bolts for CPA50E installations

CPA 50E Raised Face (RF), Type A Flow Conditioner

Sizes and Availability

- Available in a range of sizes, from NPS 0.5" to NPS 48".
- Stocked in sizes 1" through 16" in schedules 40 and 80.
- Wide range of material options: Carbon Steel, 304 Stainless Steel, 316 Stainless Steel, Inconel, Monel, Duplex, Hastalloy.
- Compatible for ANSI ratings 150# to 2500#.



Please contact us to discuss sizing, material, availability and pricing.