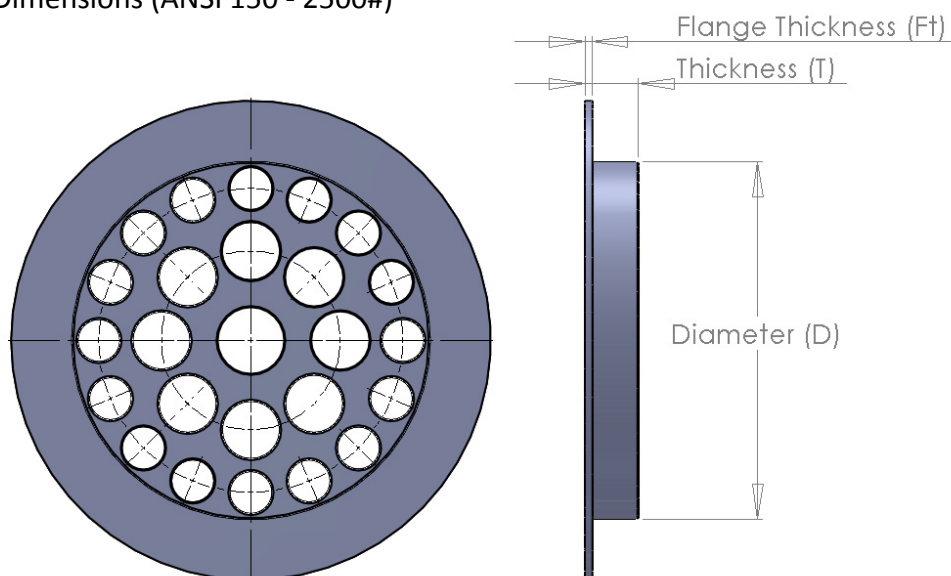




CANADA PIPELINE ACCESSORIES

CPA 50E (Type A) Dimensional Specifications

Standard Dimensions (ANSI 150 - 2500#)



Size	D – Diameter		T – Thickness		Ft – Flange Thickness	Weight (type A) Approximate Lbs
	Sch 40	Sch 80	Sch 40	Sch 80		
1 1/2	1.610	1.500	0.240	0.225	0.125	0.2
2	2.067	1.939	0.500	0.500	0.125	0.4
3	3.068	2.900	0.640	0.640	0.250	1.4
4	4.026	3.826	0.600	0.574	0.250	2.0
6	6.065	5.761	0.900	0.864	0.250	6.0
8	7.981	7.625	1.190	1.144	0.250	12.0
10	10.020	9.562	1.500	1.434	0.250	20.0
12	11.938	11.374	1.790	1.700	0.250	34.0
16	15.000	14.312	2.250	2.147	0.250	64.0
20	18.812	17.938	2.820	2.690	0.375	132.0
24	22.624	21.562	3.390	3.230	0.500	233.0
30	28.500	--	4.275	--	0.750	480.0
36	34.5	--	5.175	--	0.750	840.0

Notes:

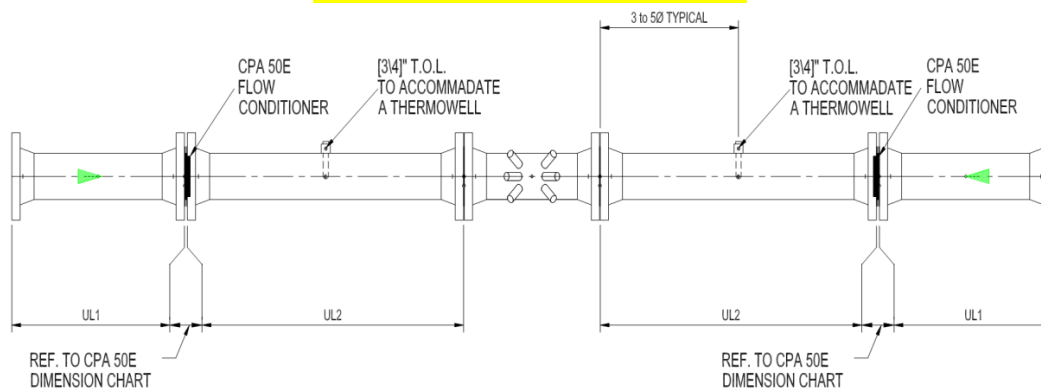
1. Dimensions in inches
2. Other sizes and specifications available, please contact us



CANADA PIPELINE ACCESSORIES

CPA 50E / Bi-directional Ultrasonic Meter Installation Specifications

DIMENSIONS LISTED ARE MINIMUMS; ANY COMBINATION OF UL1 & UL2 LONGER THAN LISTED IS ACCEPTABLE



ULTRASONIC METER RUN LENGTHS			
NPS	SCHEDULE	UL1 (5 Dia.)	UL2 (8 Dia.)
2	40/80	10	16
3	40/80	15	24
4	40/80	20	32
6	40/80	30	48
8	40/STD.	40	64
8	80/XS	38	61
10	40/STD.	50	80
10	60/XS	49	78
10	80	48	76.5
12	STD.	60	96
12	40	60	95.5
12	XS	59	94
12	80	57	91
16	STD.	76	122
16	40/XS	75	120
16	80	71.5	114.5
20	40	94	150.5
20	80	89.5	143.5
24	40	113	181
24	80	108	172.5

WARNING: Recommended meter run lengths cannot replace flow measurement guidelines or standards. There are other requirements for a compliant meter run and the standard must be carefully considered. It is essential that your customers approve of your chosen meter run dimensions prior to manufacturer. Canada Pipeline Accessories Co. LTD will not be held responsible for disapproval of meter run dimensions as recommended lengths are minimum meter run distances.