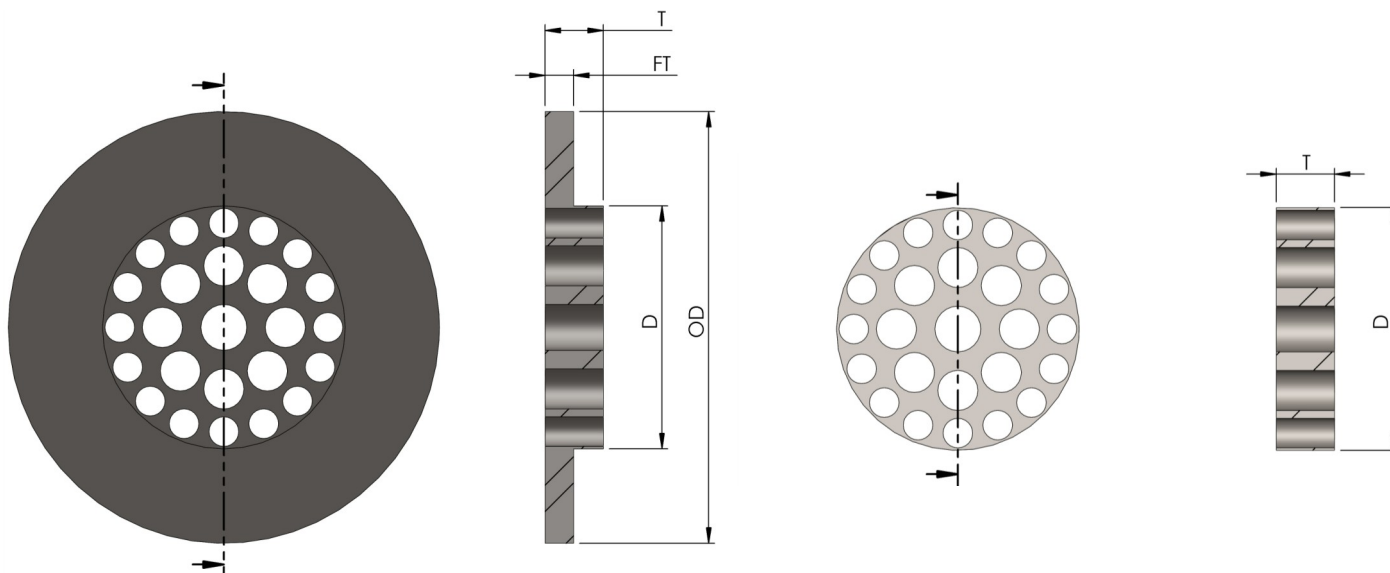


CPA TBR | Type C Flow Conditioner | Dimensional Information



Pipe Size		Pinned (TBR)		Flanged (FTBR)			
NPS	Schedule	Diameter (D)	Thickness (T)	Diameter (D)	Flange Diameter (OD)	Plate Thickness (T)	Flange Thickness (FT)
2"	40	2.040	0.490	2.047	3.625	0.490	0.165
2"	80	1.912	0.490	1.919	3.625	0.490	0.165
3"	40	3.038	0.460	3.048	5.000	0.460	0.135
3"	80	2.870	0.435	2.880	5.000	0.435	0.125
4"	40	3.986	0.604	4.006	6.188	0.604	0.279
4"	80	3.786	0.574	3.786	6.188	0.574	0.249

All dimensions are in inches. Custom sizes are available, please contact CPA for more information!

**Inherent to the design of pinned style flow conditioners, proper pipe ID tolerances, pipe ID concentricity and careful installation must be followed. Pin style flow conditioners can still be dislodged due to impact from foreign objects or debris.**

Canada Pipeline Accessories | 1-888-349-3569 | [www.flowconditioner.com](http://www.flowconditioner.com)

The design, performance and compliance data available is only applicable to the CPA 50E Flow Conditioner. Such data is considered proprietary and may not be used or copied without Canada Pipeline Accessories' written permission. In addition, Canada Pipeline Accessories, CPA 50E, CPA, 50E, FloAlign and FloCoat are registered trademarks owned by Canada Pipeline Accessories.