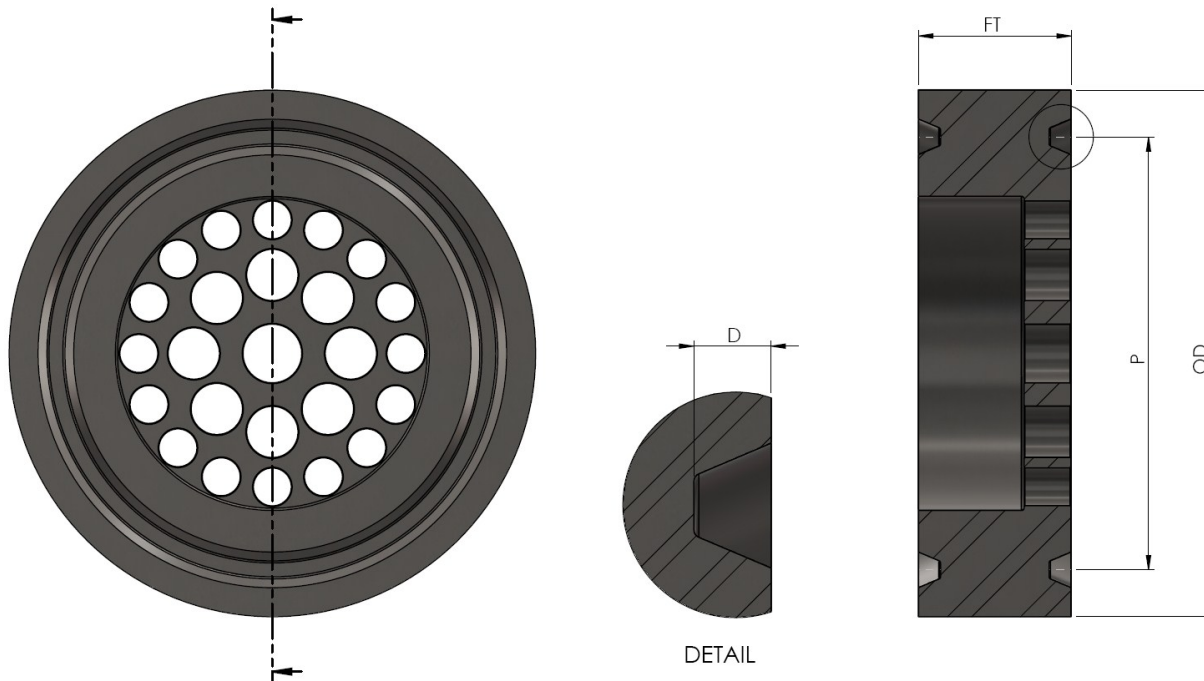


CPA 50E RTJ 600# | Type D Flow Conditioner | Dimensional Information


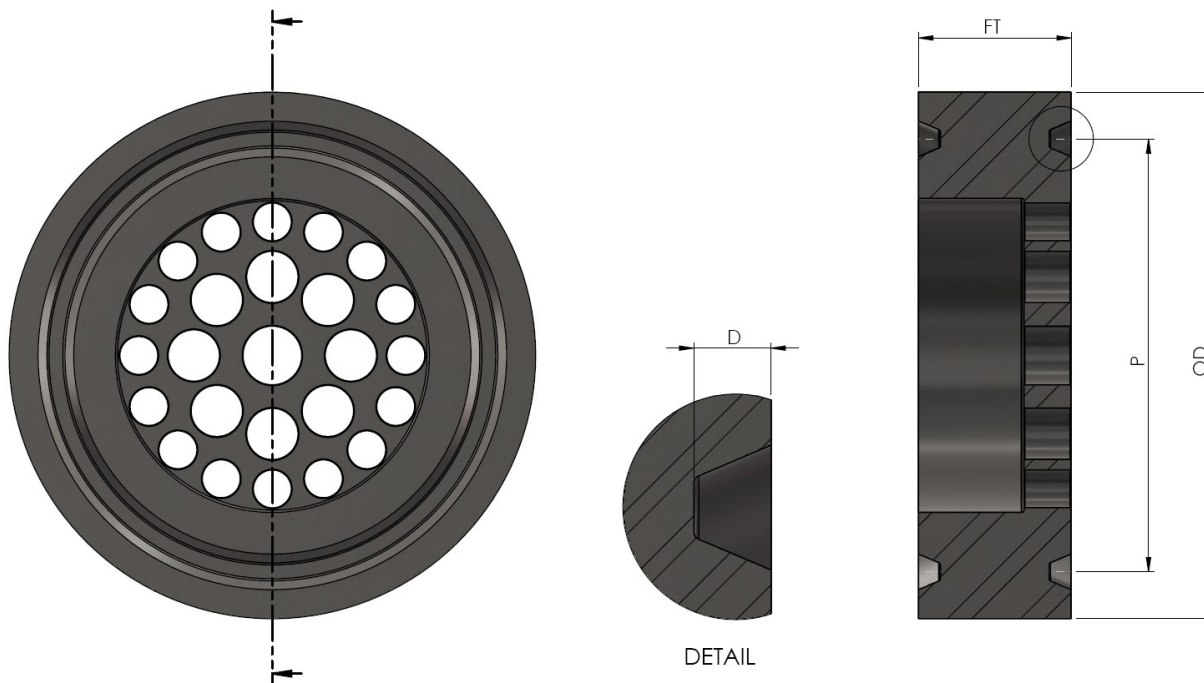
ANSI 600# PN 100					
Pipe Size	CPA 50E Diameter (OD)	Flange Thickness (FT)	Groove Depth (D)	Groove Pitch (P)	CPA RTJ Weight (lbs)
2	4.250	1.120	0.312	3.250	3.1
3	5.750	1.250	0.312	4.875	6.3
4	6.880	1.380	0.312	5.875	9.8
6	9.500	1.750	0.312	8.312	23.7
8	11.880	2.000	0.312	10.625	42.3
10	14.000	2.250	0.312	12.750	64.4
12	16.250	2.500	0.312	15.000	96.6
16	20.000	2.880	0.312	18.500	171.2
20	25.000	3.500	0.375	23.000	328.6
24	29.500	4.120	0.438	27.250	531.9
30	36.120	4.960	0.500	33.750	950.2
36	43.000	5.840	0.562	40.250	1578.5

All dimensions are in inches. Weights calculated using 316SS. Custom sizes are available, please contact CPA for more information!

CPA Ring Type Joint (RTJ) Flow Conditioners are designed to comply with **ASME B16.48**, **ASME B16.5** and **ASME B31.3**.

Canada Pipeline Accessories | 1-888-349-3569 | www.flowconditioner.com

The design, performance and compliance data available is only applicable to the CPA 50E Flow Conditioner. Such data is considered proprietary and may not be used or copied without Canada Pipeline Accessories' written permission. In addition, Canada Pipeline Accessories, CPA 50E, CPA, 50E, FloAlign and FloCoat are registered trademarks owned by Canada Pipeline Accessories.

CPA 50E RTJ 900# | Type D Flow Conditioner | Dimensional Information


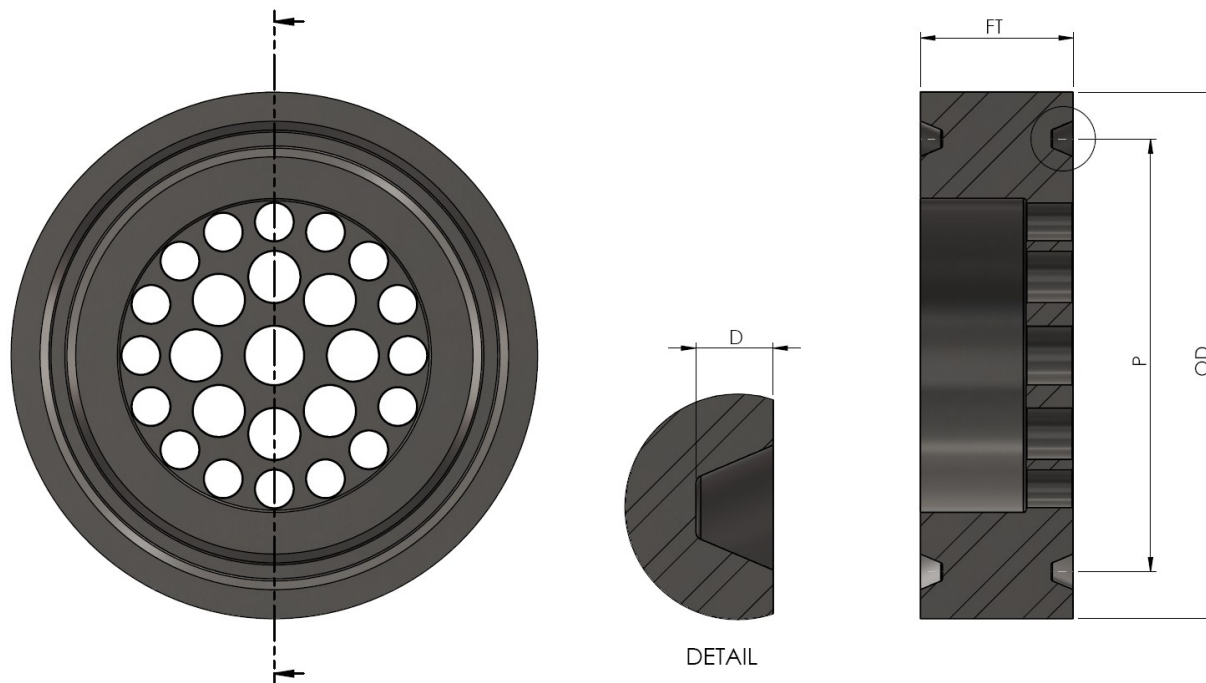
ANSI 900# PN 150					
Pipe Size	CPA 50E Diameter (OD)	Flange Thickness (FT)	Groove Depth (D)	Groove Pitch (P)	CPA RTJ Weight (lbs)
2	4.880	1.250	0.312	3.750	5.0
3	6.120	1.380	0.312	4.875	8.4
4	7.120	1.620	0.312	5.875	12.8
6	9.500	1.880	0.312	8.312	25.3
8	12.120	2.250	0.312	10.625	49.6
10	14.250	2.500	0.312	12.750	73.9
12	16.500	2.880	0.312	15.000	112.5
16	20.620	3.620	0.438	18.500	218.1
20	25.500	4.380	0.500	23.000	402.0
24	30.380	5.250	0.625	27.250	672.7
30	37.250	6.220	0.688	33.750	1183.4
36	44.250	7.390	0.812	40.250	1957.0

All dimensions are in inches. Weights calculated using 316SS. Custom sizes are available, please contact CPA for more information!

CPA Ring Type Joint (RTJ) Flow Conditioners are designed to comply with **ASME B16.48**, **ASME B16.5** and **ASME B31.3**.

Canada Pipeline Accessories | 1-888-349-3569 | www.flowconditioner.com

The design, performance and compliance data available is only applicable to the CPA 50E Flow Conditioner. Such data is considered proprietary and may not be used or copied without Canada Pipeline Accessories' written permission. In addition, Canada Pipeline Accessories, CPA 50E, CPA, 50E, FloAlign and FloCoat are registered trademarks owned by Canada Pipeline Accessories.

CPA 50E RTJ 1500# | Type D Flow Conditioner | Dimensional Information


ANSI 1500# PN 250					
Pipe Size	CPA 50E Diameter (OD)	Flange Thickness (FT)	Groove Depth (D)	Groove Pitch (P)	CPA RTJ Weight (lbs)
2	4.880	1.380	0.312	3.750	5.6
3	6.620	1.750	0.312	5.375	13.2
4	7.620	1.880	0.312	6.375	17.9
6	9.750	2.380	0.375	8.312	33.5
8	12.500	2.880	0.438	10.625	65.8
10	14.620	3.250	0.438	12.750	97.0
12	17.250	4.000	0.562	15.000	161.3
16	21.500	4.880	0.688	18.500	303.0
20	26.500	5.620	0.688	23.000	534.8
24	31.250	6.620	0.812	27.250	862.4

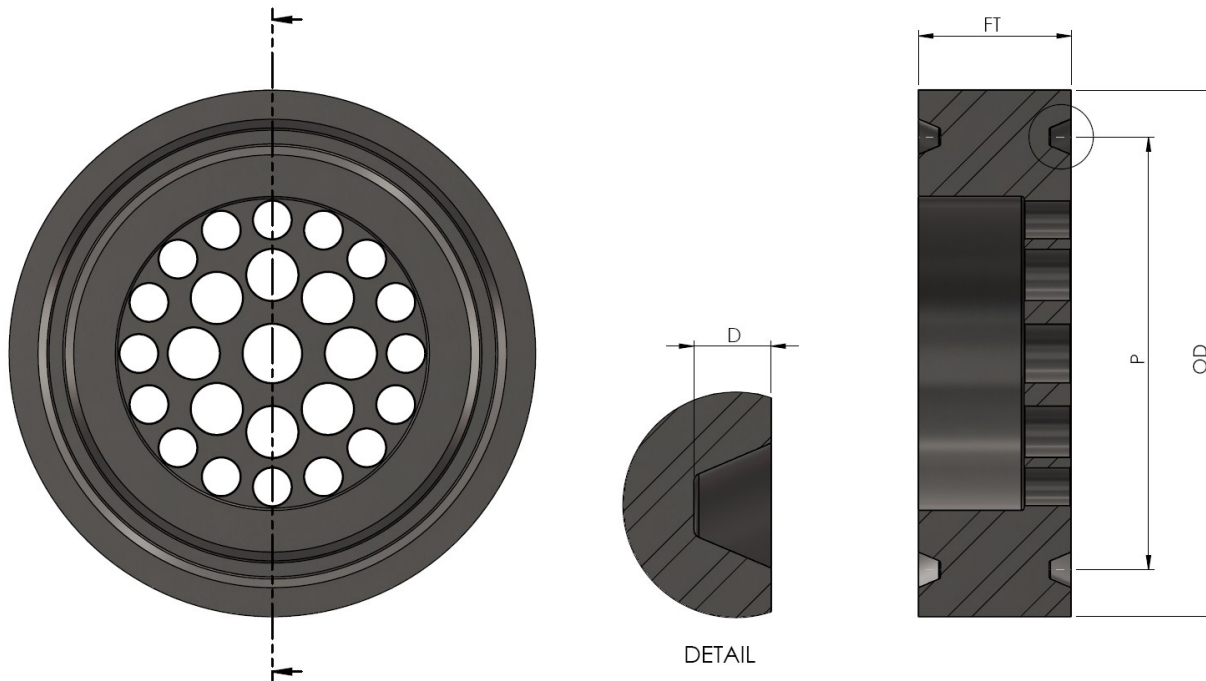
All dimensions are in inches. Weights calculated using 316SS. Custom sizes are available, please contact CPA for more information!

CPA Ring Type Joint (RTJ) Flow Conditioners are designed to comply with **ASME B16.48**, **ASME B16.5** and **ASME B31.3**.

Canada Pipeline Accessories | 1-888-349-3569 | www.flowconditioner.com

The design, performance and compliance data available is only applicable to the CPA 50E Flow Conditioner. Such data is considered proprietary and may not be used or copied without Canada Pipeline Accessories' written permission. In addition, Canada Pipeline Accessories, CPA 50E, CPA, 50E, FloAlign and FloCoat are registered trademarks owned by Canada Pipeline Accessories.

CPA 50E RTJ 2500# | Type D Flow Conditioner | Dimensional Information



ANSI 2500# PN 420					
Pipe Size	CPA 50E Diameter (OD)	Flange Thickness (FT)	Groove Depth (D)	Groove Pitch (P)	CPA RTJ Weight (lbs)
2	5.250	1.620	0.312	4.000	8.0
3	6.620	2.000	0.375	5.000	14.9
4	8.000	2.500	0.438	6.188	26.1
6	11.000	3.250	0.500	9.000	61.7
8	13.380	3.880	0.562	11.000	103.5
10	16.750	4.620	0.688	13.500	192.3
12	19.500	5.250	0.688	16.000	294.1

All dimensions are in inches. Weights calculated using 316SS. Custom sizes are available, please contact CPA for more information!
 CPA Ring Type Joint (RTJ) Flow Conditioners are designed to comply with **ASME B16.48**, **ASME B16.5** and **ASME B31.3**.

Canada Pipeline Accessories | 1-888-349-3569 | www.flowconditioner.com

The design, performance and compliance data available is only applicable to the CPA 50E Flow Conditioner. Such data is considered proprietary and may not be used or copied without Canada Pipeline Accessories' written permission. In addition, Canada Pipeline Accessories, CPA 50E, CPA, 50E, FloAlign and FloCoat are registered trademarks owned by Canada Pipeline Accessories.